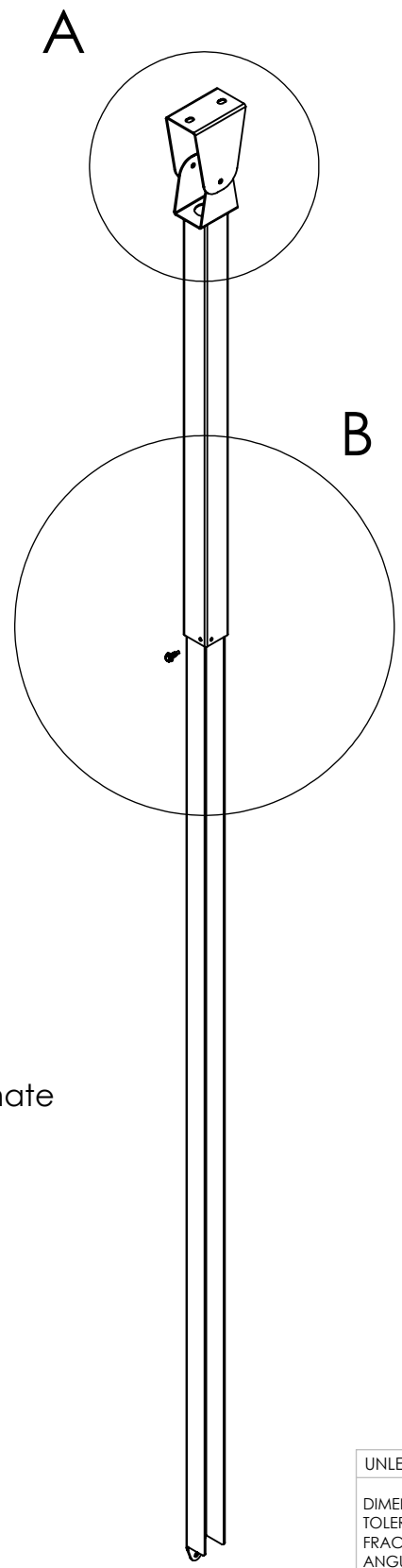
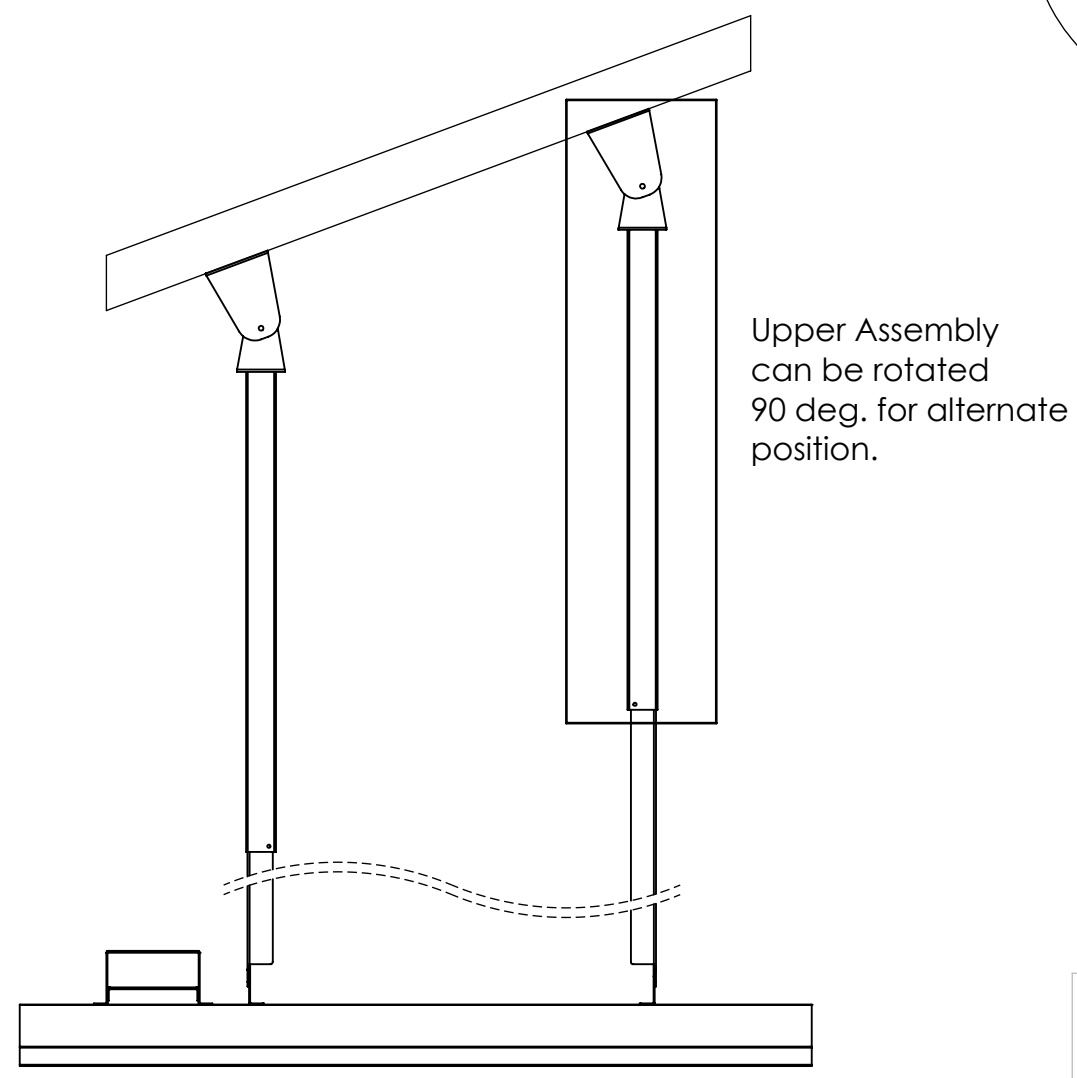
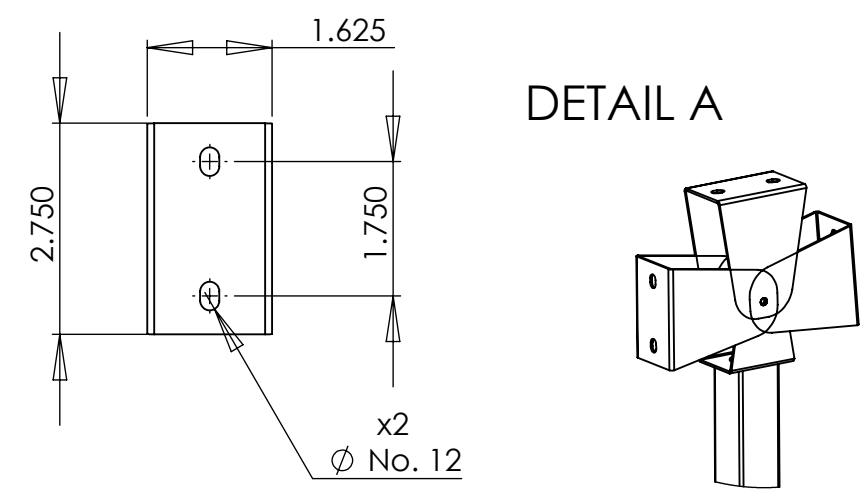


Ability To Extend
 Min: 29.00"
 Max: 72.00"

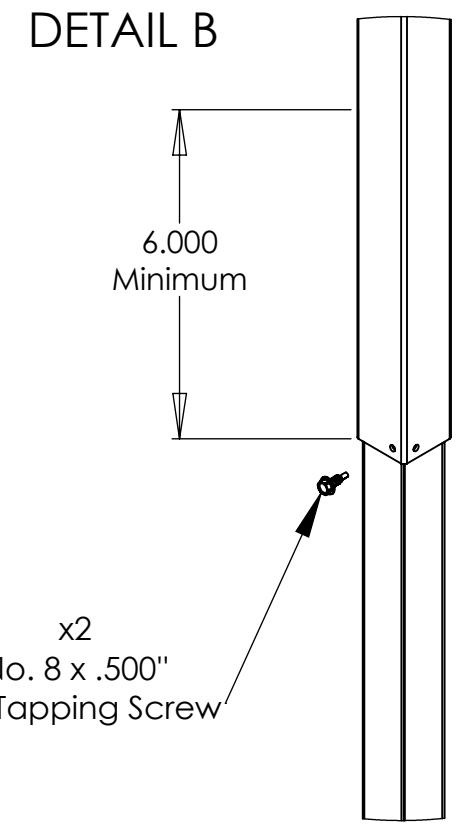


NOTE: Maintain 6.00" minimum (See Detail B) of Channel length inside the Down Tube. Channel can be cut to obtain minimum length.

Use the provided (x2) No.8 x .500" Self-Drilling/Tapping Screws to lock Channel to desired length.

*Available in 8 Standard Colors.

WARNING: It is recommended that you do the above step prior to running power or conduit to prevent damage and possible electrical shock.



PROPRIETARY AND CONFIDENTIAL
 THE INFORMATION CONTAINED IN THIS DRAWING IS THE SOLE PROPERTY OF INFRATECH. ANY REPRODUCTION IN PART OR AS A WHOLE WITHOUT THE WRITTEN PERMISSION OF INFRATECH IS PROHIBITED.

UNLESS OTHERWISE SPECIFIED:		NAME	DATE
DIMENSIONS ARE IN INCHES		DRAWN	O.A 9/20/21
TOLERANCES:		CHECKED	
FRACTIONAL ±		ENG APPR.	
ANGULAR: MACH ± BEND ±		MFG APPR.	
TWO PLACE DECIMAL ±		Q.A.	
THREE PLACE DECIMAL ±		COMMENTS:	
INTERPRET GEOMETRIC TOLERANCING PER:			
MATERIAL			
FINISH			
DO NOT SCALE DRAWING			

INFRATECH

TITLE: C/CD - Series Drop Mount Assembly (Extender up to 6ft)

SIZE	DWG. NO.	REV
B		

SCALE: N/A WEIGHT: SHEET 1 OF 1