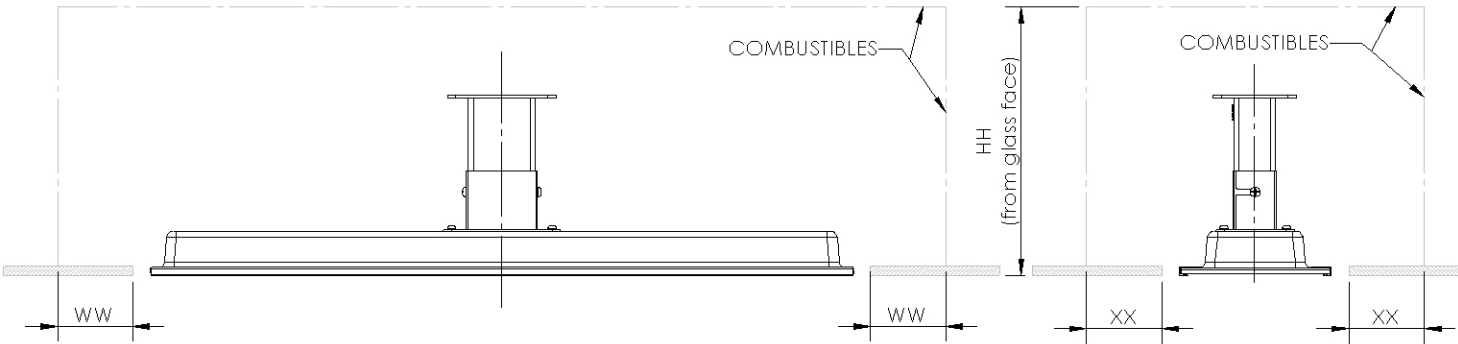


IMPORTANT NOTE:

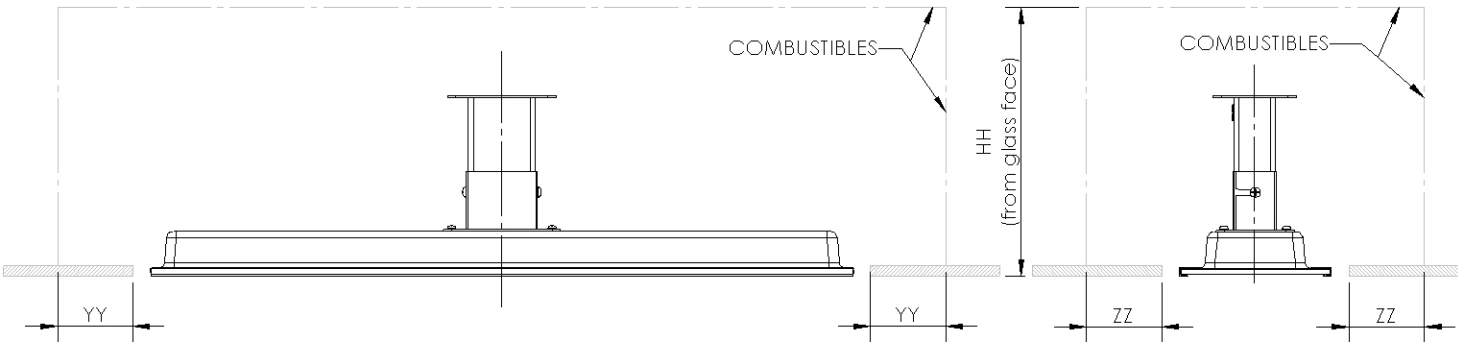
Individual clearances to combustibles are fixed minimums to each individual option and cannot be combined between Option 1 and Option 2

CLEARANCE TO COMBUSTIBLES OPTION 1



OPTION 1	
MIN DIMENSIONS TO COMBUSTIBLE MATERIALS	
DIM	2300W & 3400W
WW	500mm/19.6"
XX	500mm/19.6"
HH	250mm/10"

CLEARANCE TO COMBUSTIBLES OPTION 2



OPTION 2		
MIN DIMENSIONS TO COMBUSTIBLE MATERIALS		
DIM	2300W	3400W
YY	1315mm/51.8"	1098mm/43.2"
ZZ	185mm/7.3"	185mm/7.3"
HH	250mm/10"	250mm/10"