

# Solaira SMRTTIM40 Timer Controller Installation & User Manual, 4kW

## **SAFETY WARNING!**

**ALL INSTALLATIONS/SERVICE MUST BE PERFORMED BY  
A LICENCED/CERTIFIED ELECTRICIAN**

**KEEP THESE INSTRUCTIONS FOR FUTURE REFERENCE**

### SHOCK AND FIRE HAZARD:

- Serious injury or death could occur
- Disconnect ALL power sources before removing cover. Power should only be re-connected after electrical installations are complete and cover replaced.
- Be certain the power source conforms to specifications outlined on heater label.
- Assure to connect green wire from heater to ground connection from electrical supply, not to a live or “hot” conductor.
- Follow state, provincial, local and national electric codes (NEC) including field certifications
- Do not use locations containing hazardous or explosive atmospheres.

### ELECTRICAL RATING

208-240VAC 50/60HZ

**WARNING SERIOUS INJURY OR DEATH COULD OCCUR, DISCONNECT  
ALL POWER PRIOR TO SERVICE**



SPE-1000 Certified

### **Introduction**

The Solaira SMRTTIM40 4kW timer is part of a family of controllers designed to provide energy saving when used with Quartz Infrared Halogen Lamps or other Heating and Lighting Products. The ‘T’ model switches the lamps on for a pre-determined time period of between 1 and 60 minutes.

The microcontroller-based unit incorporates zero-voltage switching and a soft-start function to eliminate the lamps' initial high inrush current – potentially increasing lamp life by as much as 30%. Installation of the unit is simple and once installed is relatively maintenance-free.

### **Product Features**

- Energy saving – provides heat for a pre-determined time period.
- Extends Lamp Life.
- Soft-start/zero-voltage switch-off.
- Low-cost.
- Easy to install.

Applications: patio areas, smoking shelters, restaurants, warehouses, workshops and garden lighting.

### **Installation**

**Important:** Read carefully the following information before installing the unit.

The Solaira SMRTTIM40 4kW timer should be fixed securely using the four mounting holes accessible from the front of the unit. Remove the lid to access the mounting holes. To ease installation, a mounting template is provided on the next page to locate the 4 mounting hole centres.

**IMPORTANT! The unit must be orientated with the cable glands facing down.**

### **Wiring**

#### **SAFETY FIRST**

**The Solaira SMaRT Timer is a high power electrical device and MUST ONLY BE INSTALLED BY A CERTIFIED ELECTRICIAN TO LOCAL AND NATIONAL ELECTRICAL CODE.**

**Warning! Isolate the mains supply before commencing any work on this unit. Ensure all earth wires are connected to maintain earth continuity to the lamp fittings.**

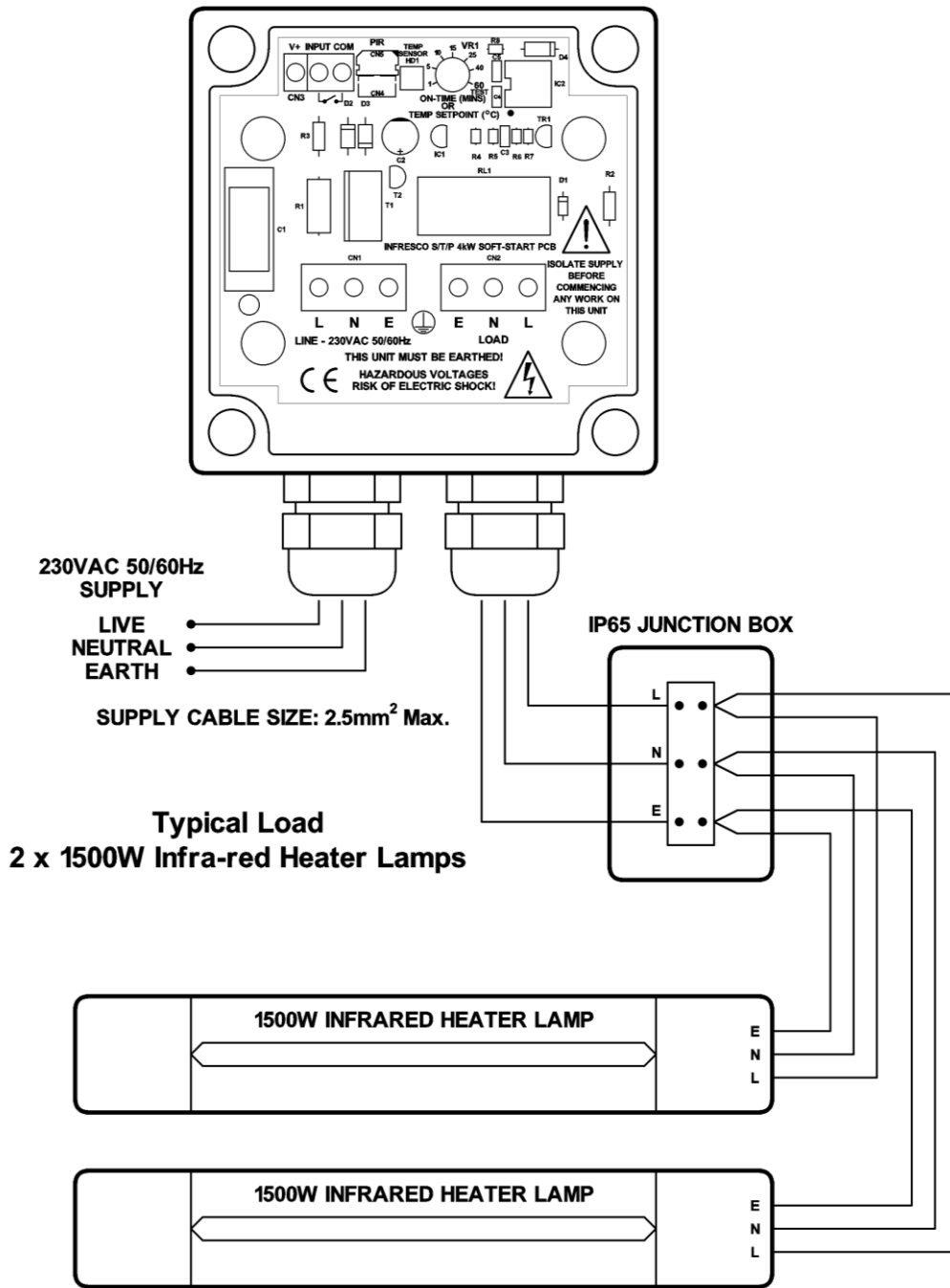
The unit is fitted with two cable glands. Only one cable should be fitted per gland to prevent degrading the unit's IP rating. When fitting two lamps, refer to 'Wiring Diagram' for an alternative wiring configuration using a junction box.

The mains supply connects to the terminal block marked '**LINE**'. Connect the supply **LIVE** to the '**L**' terminal, **NEUTRAL** to the '**N**' terminal and **EARTH** to the '**E**' terminal.

The lamps connect to the terminal block marked '**LOAD**'. Connect the load **LIVE** to the '**L**' terminal, **NEUTRAL** to the '**N**' terminal and **EARTH** to the '**E**' terminal. If two lamps are to be fitted they must be wired in parallel.

Check all wiring and make sure the cable glands are tightened.

## Wiring Diagram



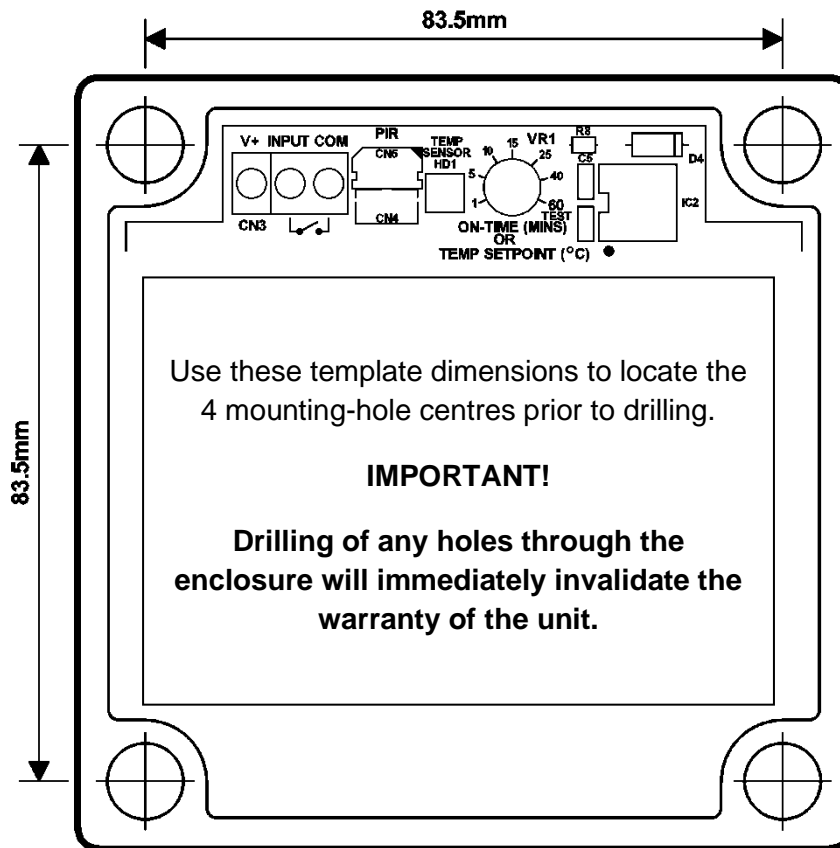
### Commissioning

Set the on-time preset (VR1) to a time period of between 1 and 60 minutes. VR1 is located at the top of the printed circuit board as shown above. Replace the lid and switch on the mains supply to the unit. Press the push-button on the front of the unit to switch the lamps on.

### Technical Specification

<b>Supply Voltage</b>	230VAC +/- 10% 50/60 Hz
<b>Switching Capacity</b>	4kW Max.
<b>Lamp On-Time</b>	1 to 60 minutes
<b>Current Consumption (control circuit)</b>	50mA
<b>Terminals</b>	2.5mm <sup>2</sup> Rising Clamp
<b>Operating Temperature</b>	-20 to 40°C
<b>Protection Rating</b>	IP65
<b>Gland Diameter</b>	Max Cable Entry 2.5mm <sup>2</sup>
<b>Enclosure Dimensions (WxLxH)</b>	100x100x60 (mm)

## Mounting Template



### **LIMITATION OF LIABILITY**

It is understood and agreed that seller's liability whether in contract, in tort, under any warranty, in negligence or otherwise shall not exceed the return of the amount of the purchase price paid by purchaser and under no circumstances shall seller be liable for special, indirect or consequential damages. The price stated for the equipment is a consideration in limiting seller's liability. No action, regardless of form, arising out of the transactions may be brought by purchaser more than one year after the cause of action has accrued.

### **WARRANTY**

1. SOLAIRA CONTROL products are guaranteed to be free from mechanical and electrical defects for a period of one year from date of shipment under normal use and service provided installation is made in accordance with manufacturers' recommendations.
2. Parts deemed defective shall be repaired or replaced at manufacturers option and at manufacturers expense but shall not include foreign or federal excise taxes, state or municipal sale or use taxes, all such taxes not limited to the foregoing being responsibility of the purchaser.
3. No charge for travel and/or mileage will be allowed to purchaser.
4. SOLAIRA reserves the right to make changes in design or make any improvements on any products. The right is always reserved to modify our equipment because of new technology, underwriter's requirements and/or government regulations.
5. The following are not covered under warranty:
  - a. INSTALLATION OF CONTROL BY NON-CERTIFIED ELECTRICIAN.
  - b. Failure from neglect, abuse, careless handling and mis-application of unit.
  - c. Failure to observe guidelines for installation or improper voltage hook-up.
  - d. Failure caused by improper installation and not following local, state/provincial and federal electrical guidelines
  - e. Unless specifically allowed by SOLAIRA CONTROLS, no other charges may be included under warranty.

Solairatm is a registered trademark of Inforesight Consumer Products Inc.

125 Traders Blvd. # 4, Mississauga, Ontario, Canada, M4Z 2H3

Tel: 905-568-7655, EXT 23 SERVIC, Fax:905-568-7521